

# CHANGE THE IMAGE ON THE ORTHOPUS SUPPORTER



## **Supplies kit:**

- Paper (classic or thicker up to 160g)
- Scissors
- Printer

In this document you will find instructions for:

**CHANGE IMAGE ON THE CUSTOM LOGO DISC**

**2**

**PRINT NEW IMAGES**

**4**

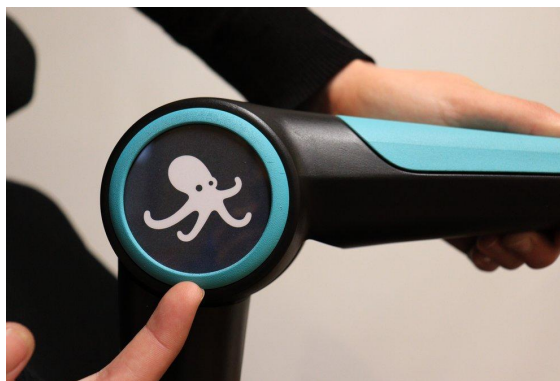




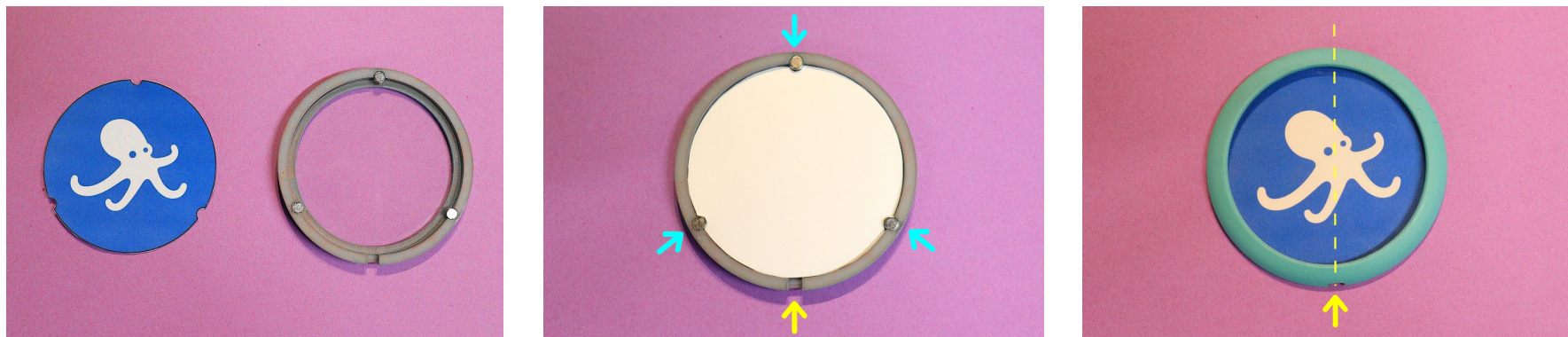
The custom logo disc is on both sides of the motor unit of the ORTHOPUS Supporter. Thanks to magnets, **you can remove the logo disc and easily change the image inside**. Here's how to do it ↓

## [CHANGE THE IMAGE ON THE CUSTOM LOGO DISC](#)

To remove the custom logo disc, slide a nail into the bottom notch:



After removing the old image, place the new one inside, print side in front of plexiglas. Use the notch landmark to orientate it:



Replace the custom logo disc at its place, by using notch landmarks. Press until you hear a "click": **it's ok!**



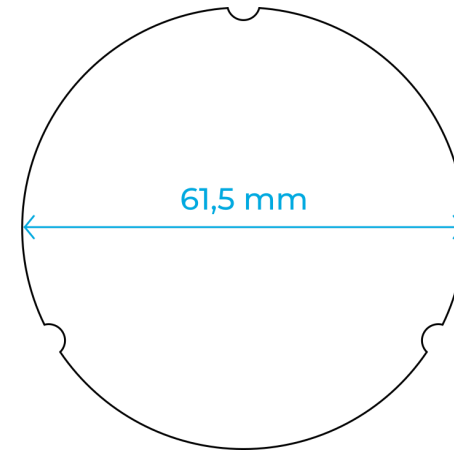
## PRINT NEW IMAGES

Here's the template to use. It's a 61.5 mm diameter circle with 3 notches.

On [orthopus.com/documentation](https://orthopus.com/documentation) you will find blank template sheets in pdf format, svg and eps, as well as images plates ready to be cut.



In any cases, **it's important that the cut-out image measures 61.5 mm in diameter**. Smaller, it won't hold in the custom logo disc, bigger, you will have difficulties to fit it in.



### → SIMPLE WAY

Print the pdf template on paper and use it as a shape to cut any image to size.

*Tip: print on tracing paper to directly place the shape on the image you want cut..*

### → WITH A DPS SOFTWARE METHOD (Inkscape, Gimp, Adobe)

You can use any template provided and insert an image on it.



**Tip:** if after printing the model is too small, change the print parameters in relation to the page ("Fit to size", etc.).

